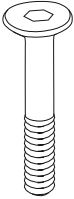
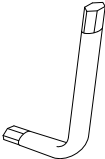
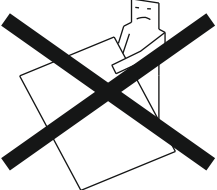
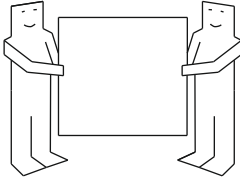
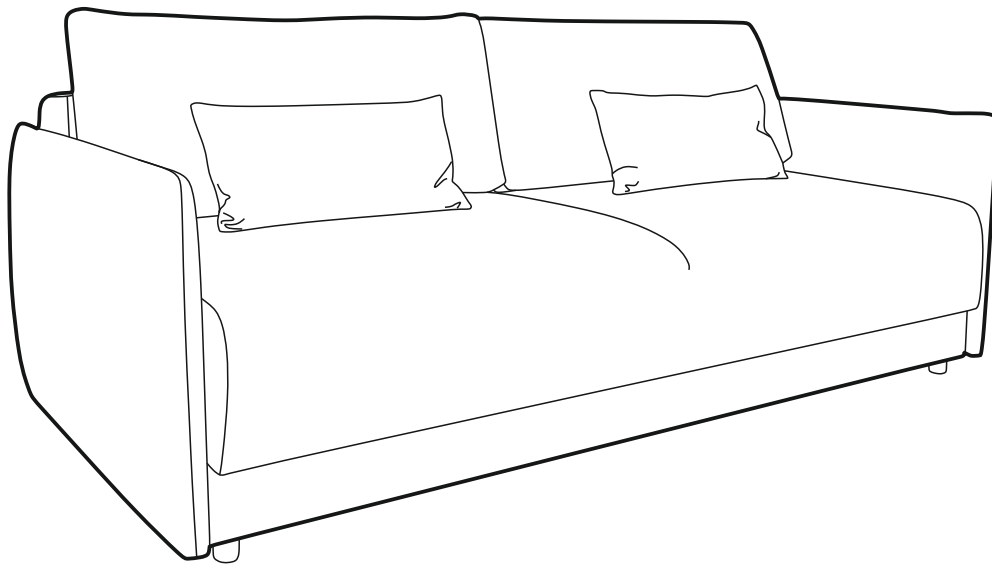


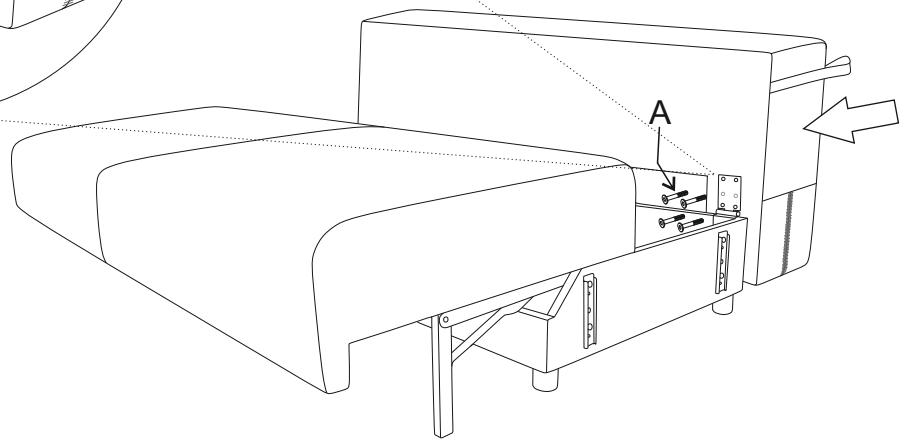
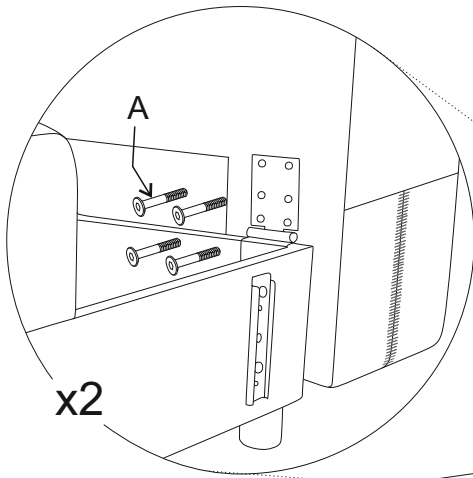
Multy

<p>(A)</p>  <p>Ø6x45</p> <p>X8</p>	<p>(B)</p>  <p>L-4</p> <p>X1</p>	 
---	---	---



Multy

1



2

