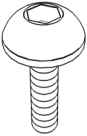
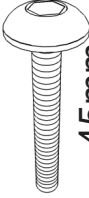



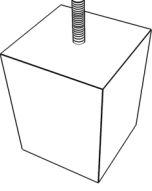
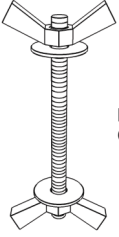
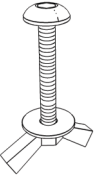
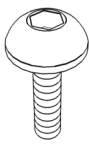
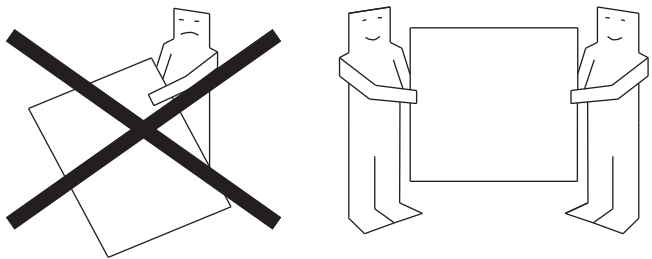
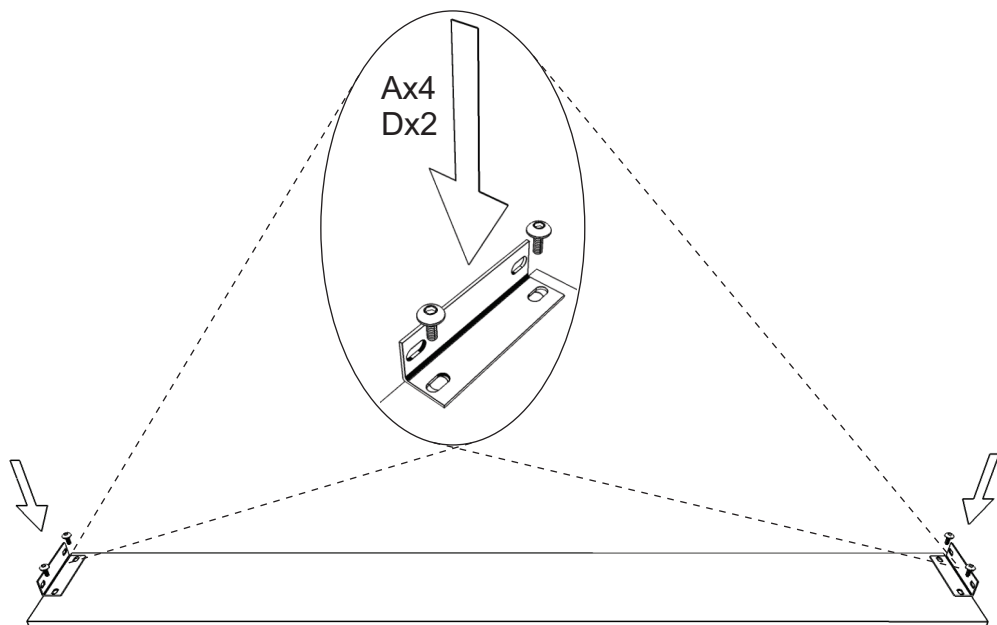


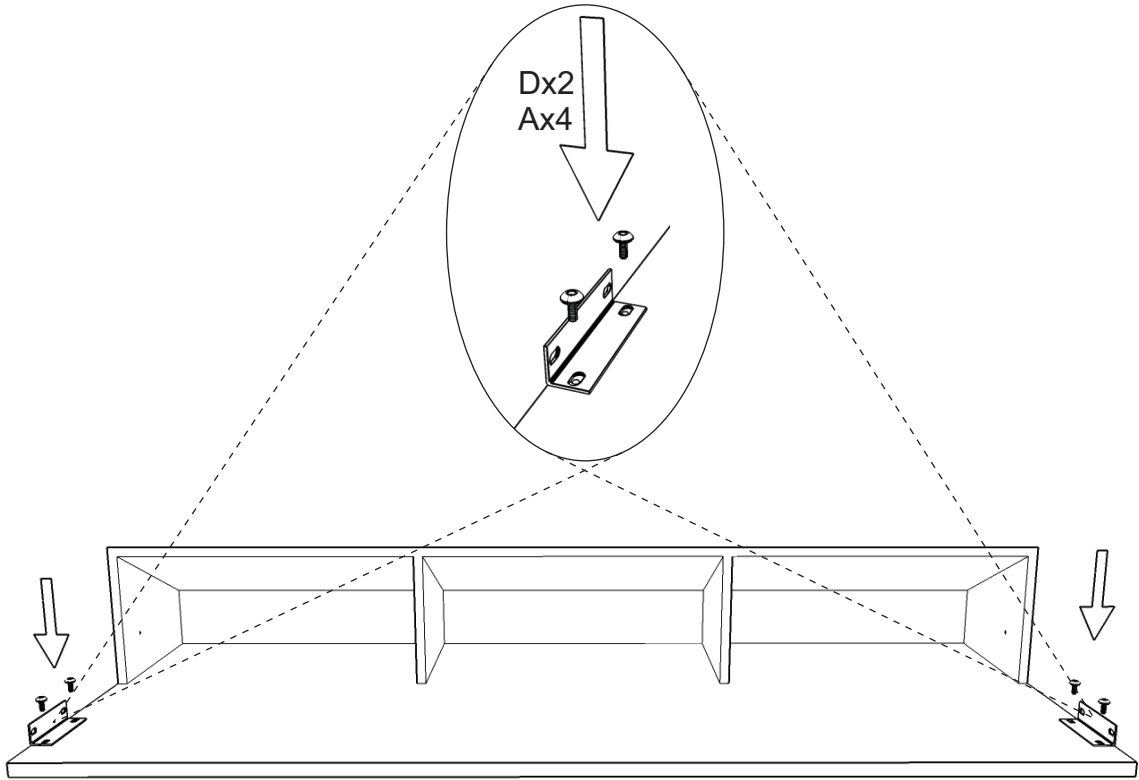
# Sofia with chaiselong

|   |   |  |  |  |  |
|---|---|--|--|--|--|
| <p>(A)</p>  <p>20mm</p> <p>X12</p> | <p>(B)</p>  <p>45mm</p> <p>X1</p>  | <p>(C)</p>  <p>M6</p> <p>X1</p>   | <p>(D)</p>  <p>X4</p> | <p>(E)</p>  <p>X1</p> | <p>(F)</p>  <p>7.5 cm</p> <p>X8</p> |
| <p>(G)</p>  <p>65mm</p> <p>X1</p> | <p>(H)</p>  <p>45mm</p> <p>X4</p> | <p>(I)</p>  <p>26mm</p> <p>X4</p> |                     |  |  |

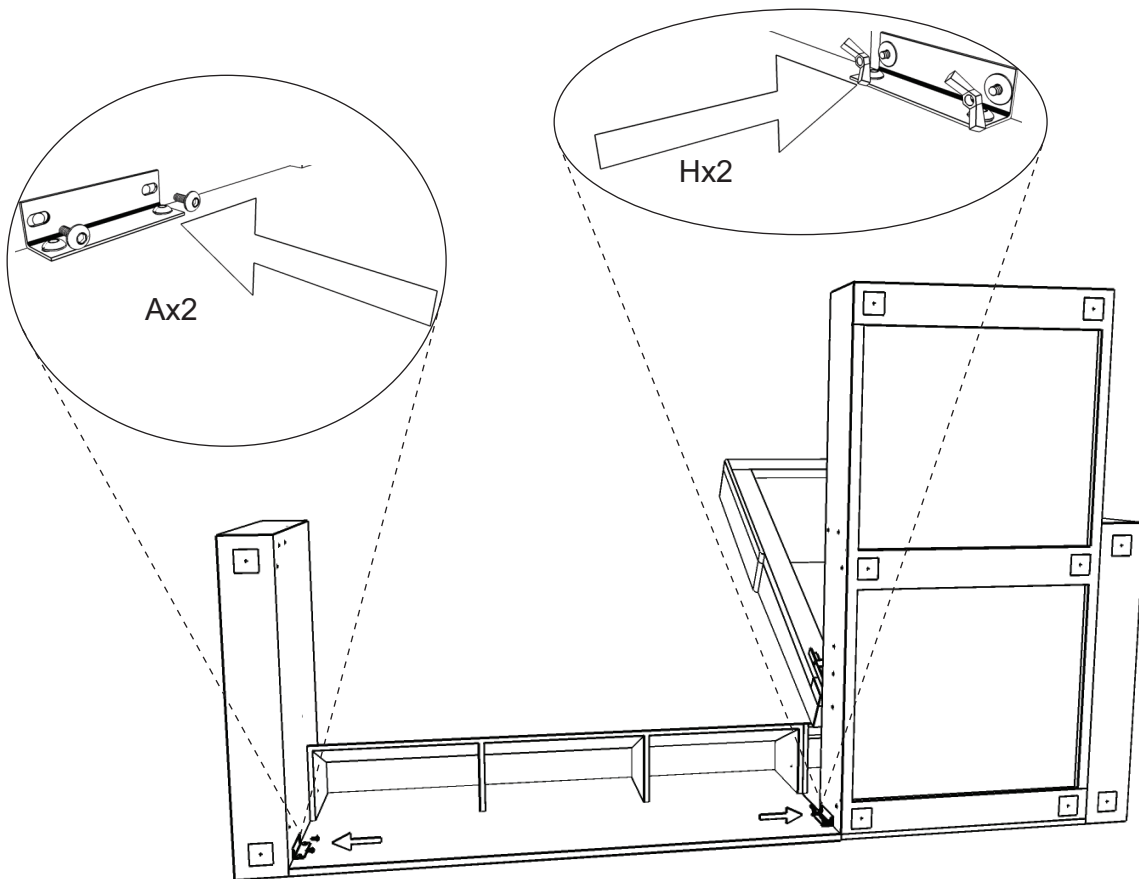
1



2

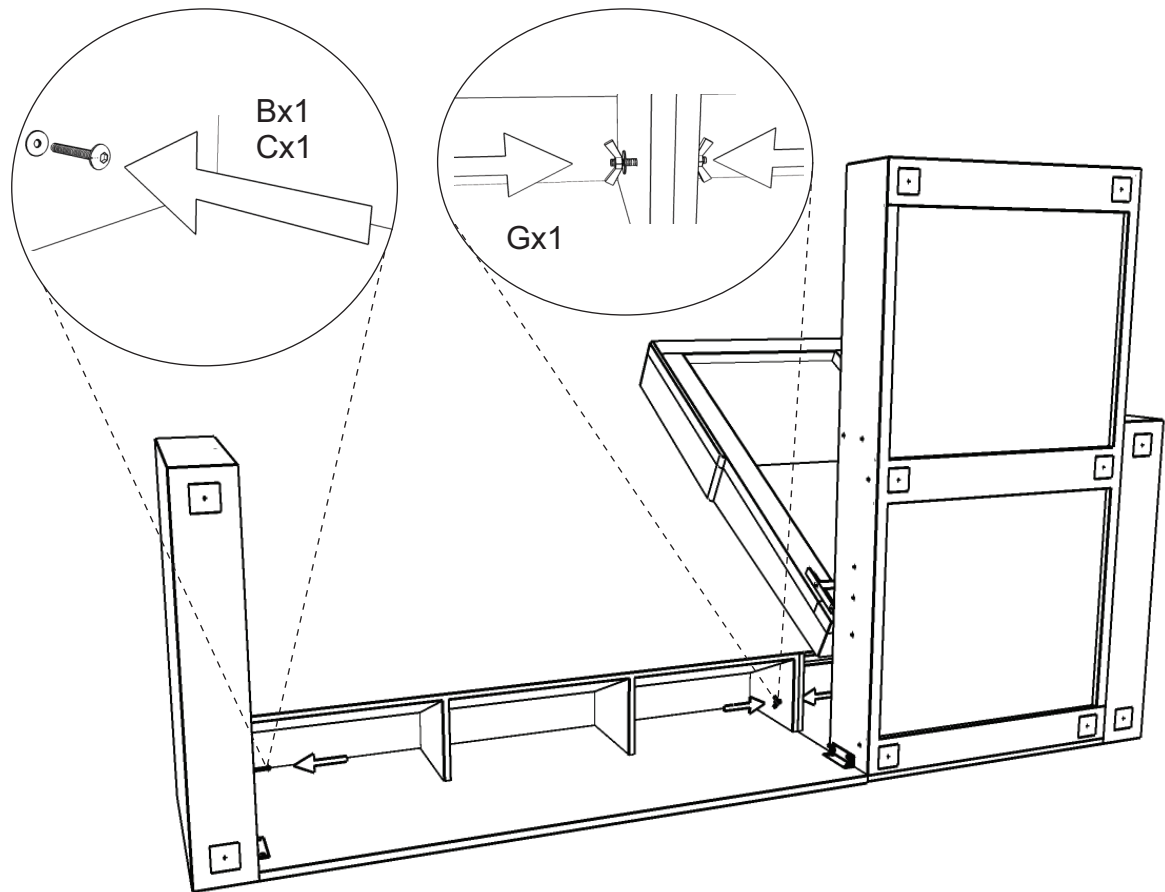


3

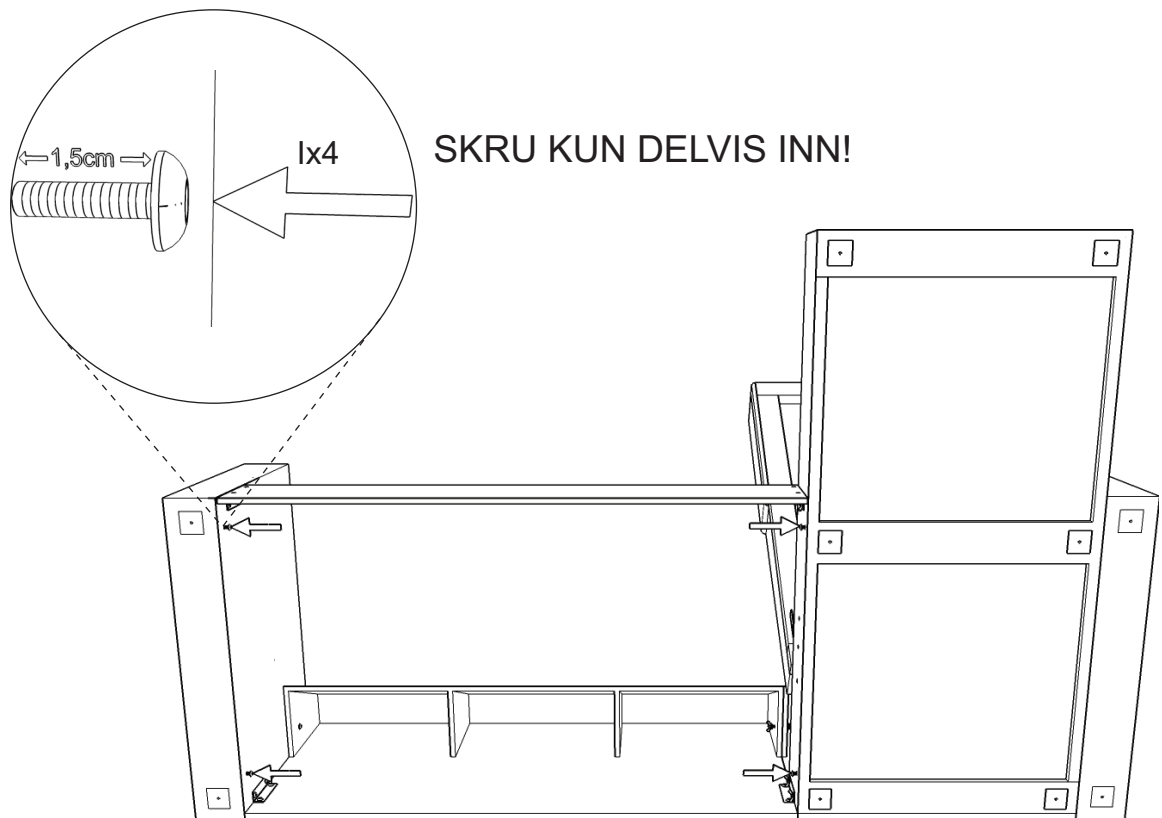


# HOVDEN

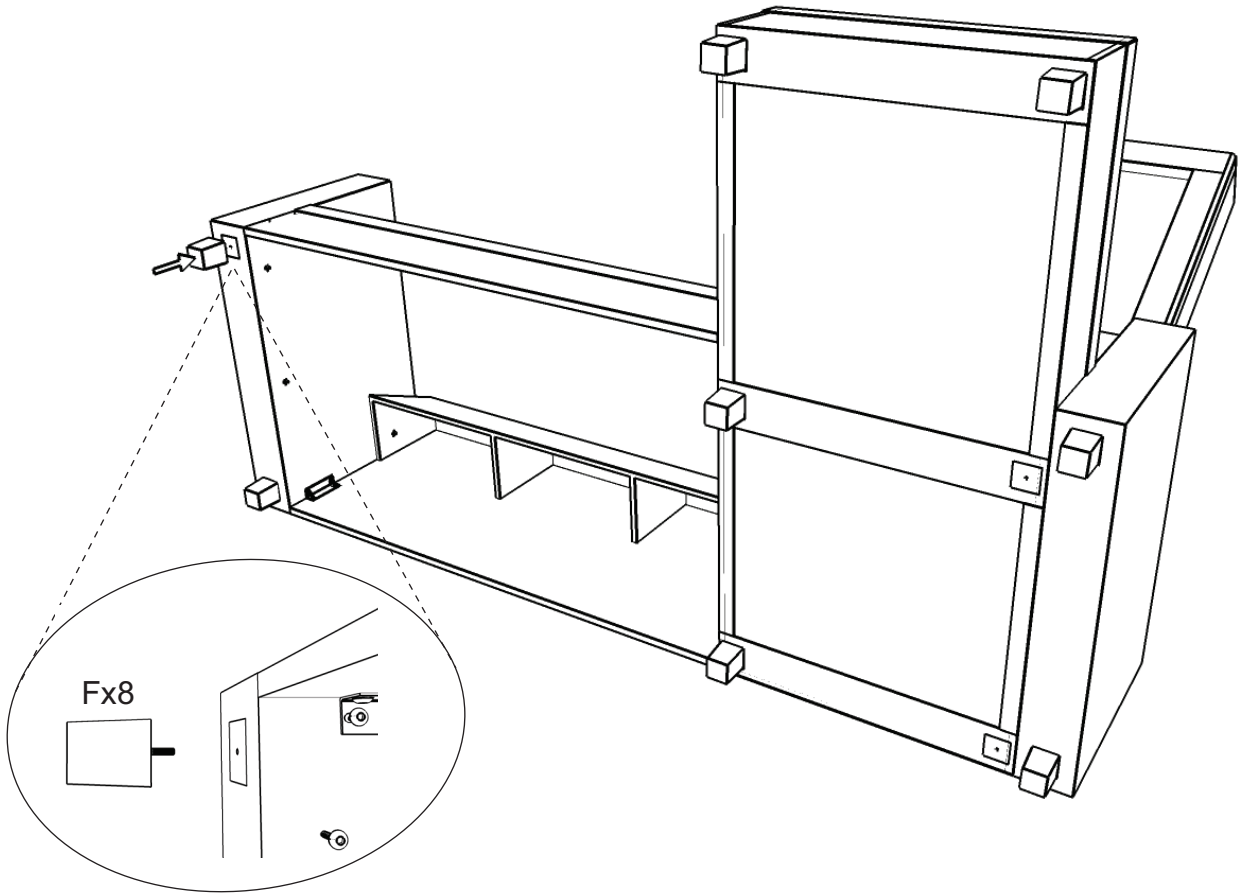
4



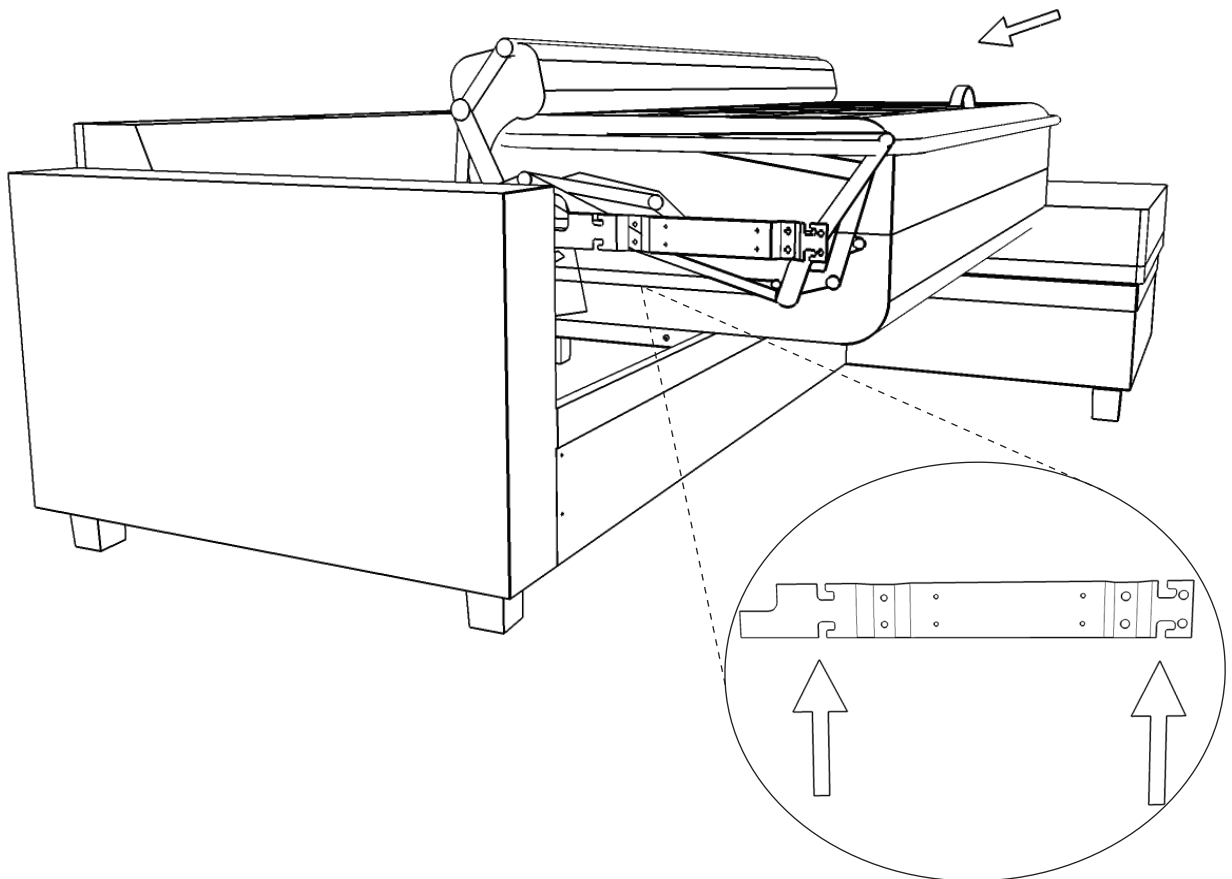
5



6



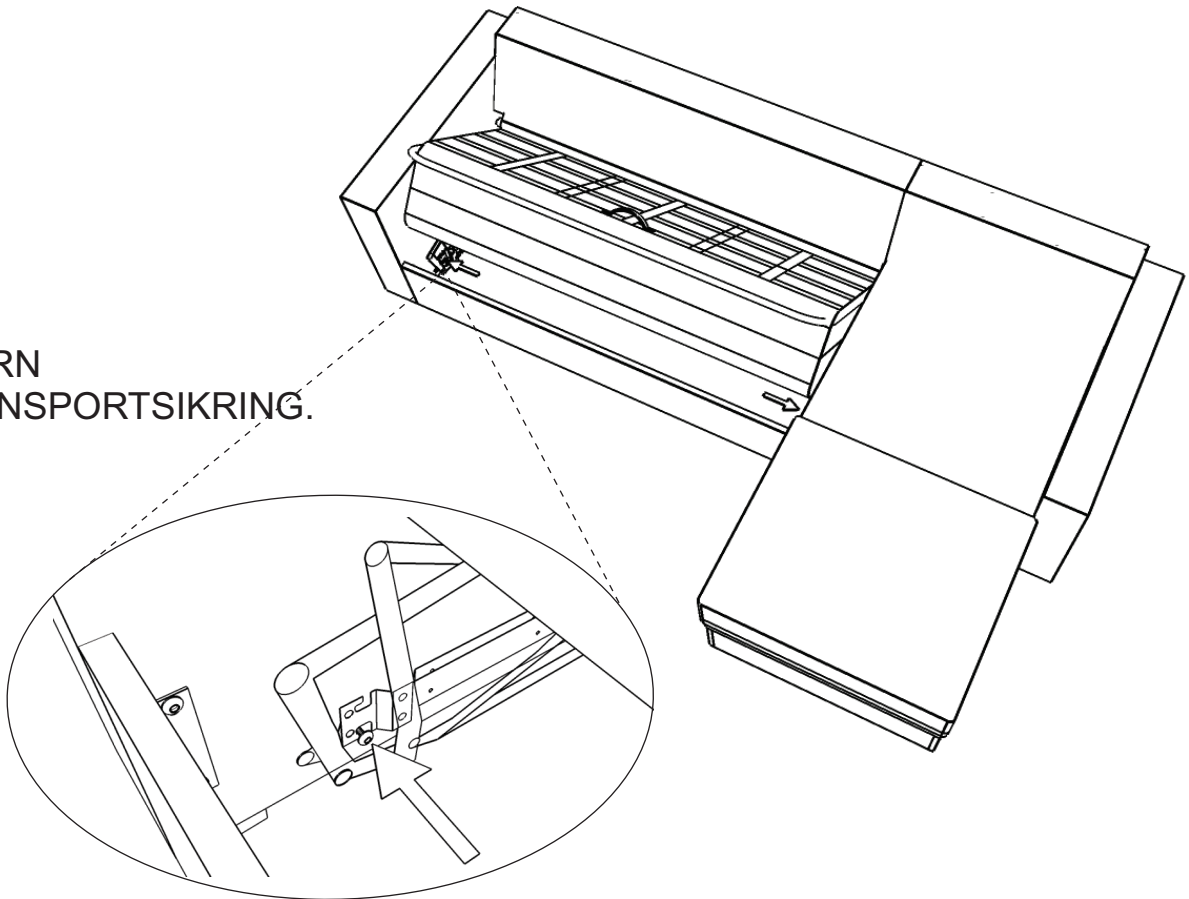
7



# H O V D E N

8

FJERN  
TRANSPORTSIKRING.



9

LØFT BESLAGET FREM.  
VIPP OPP HODEENDEN.  
STRAM SKRUENE!

