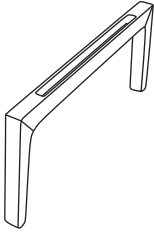


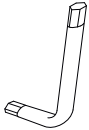
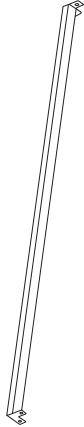
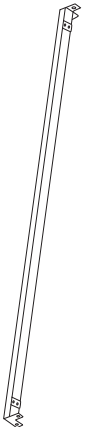
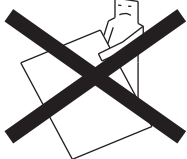
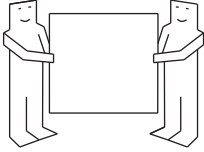
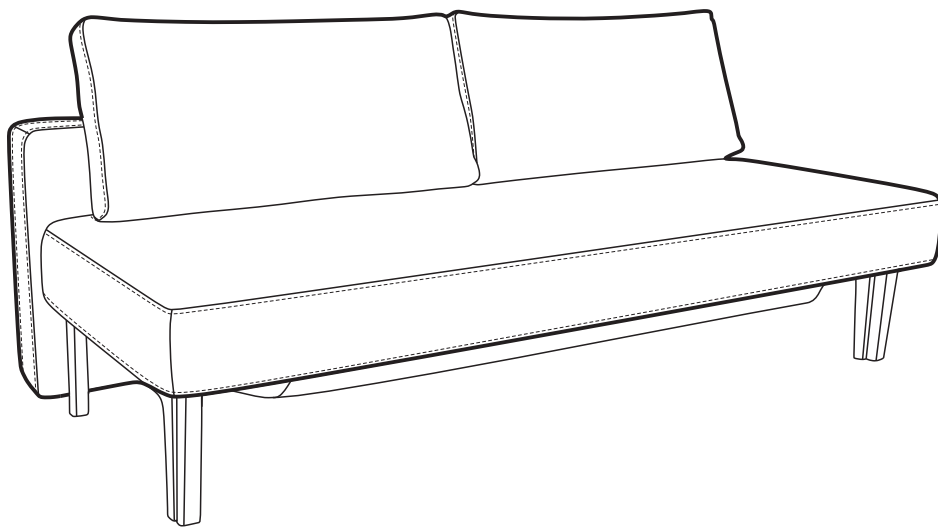


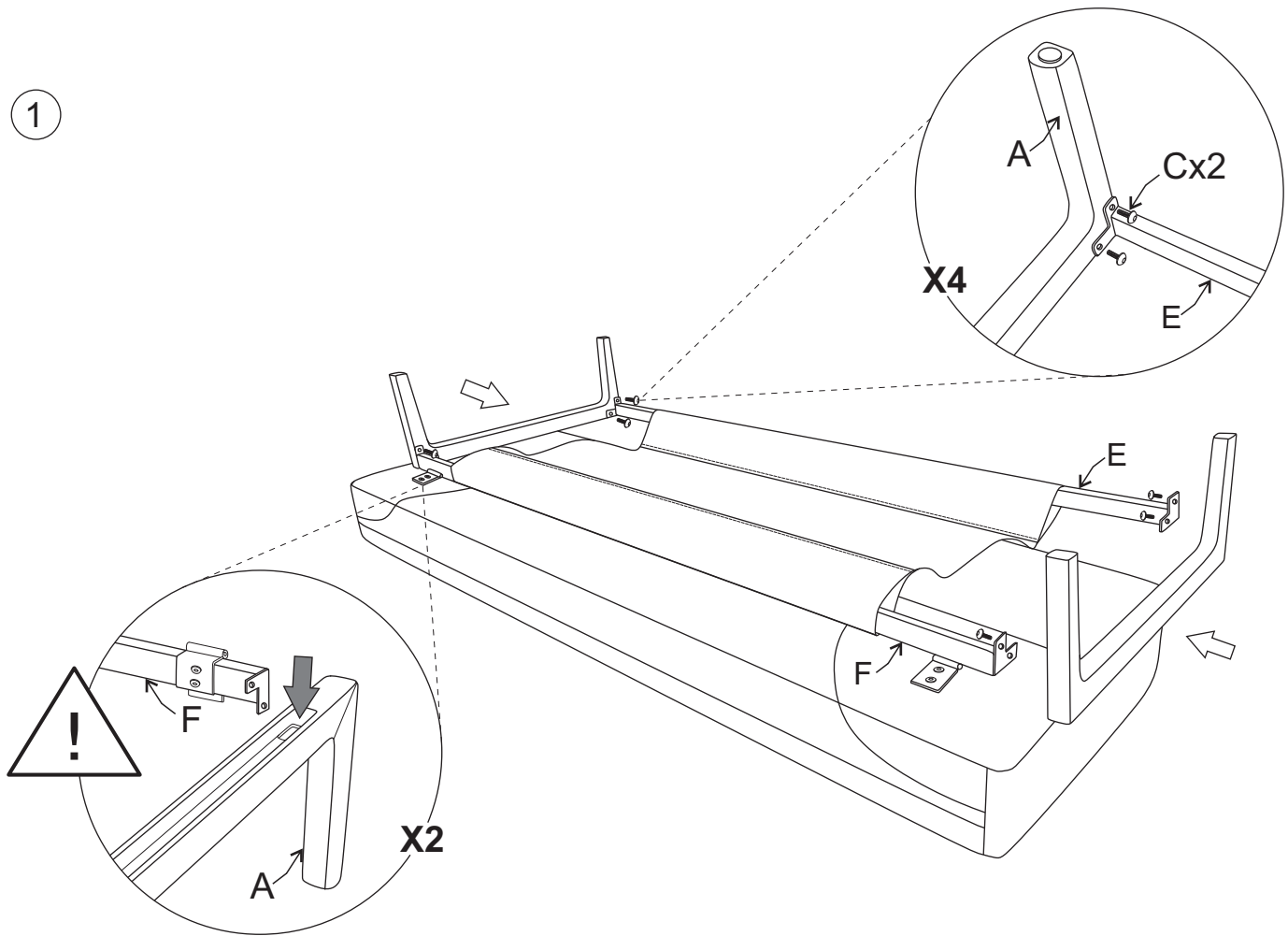
Sleepy

<p>(A)</p>  <p>X2</p>	<p>(B)</p>  <p>X2</p>	<p>(C)</p>  <p>M6x16mm</p> <p>X16</p>	<p>(D)</p>  <p>L-5</p> <p>X1</p>	<p>(E)</p>  <p>X1</p>	<p>(F)</p>  <p>X1</p>
					

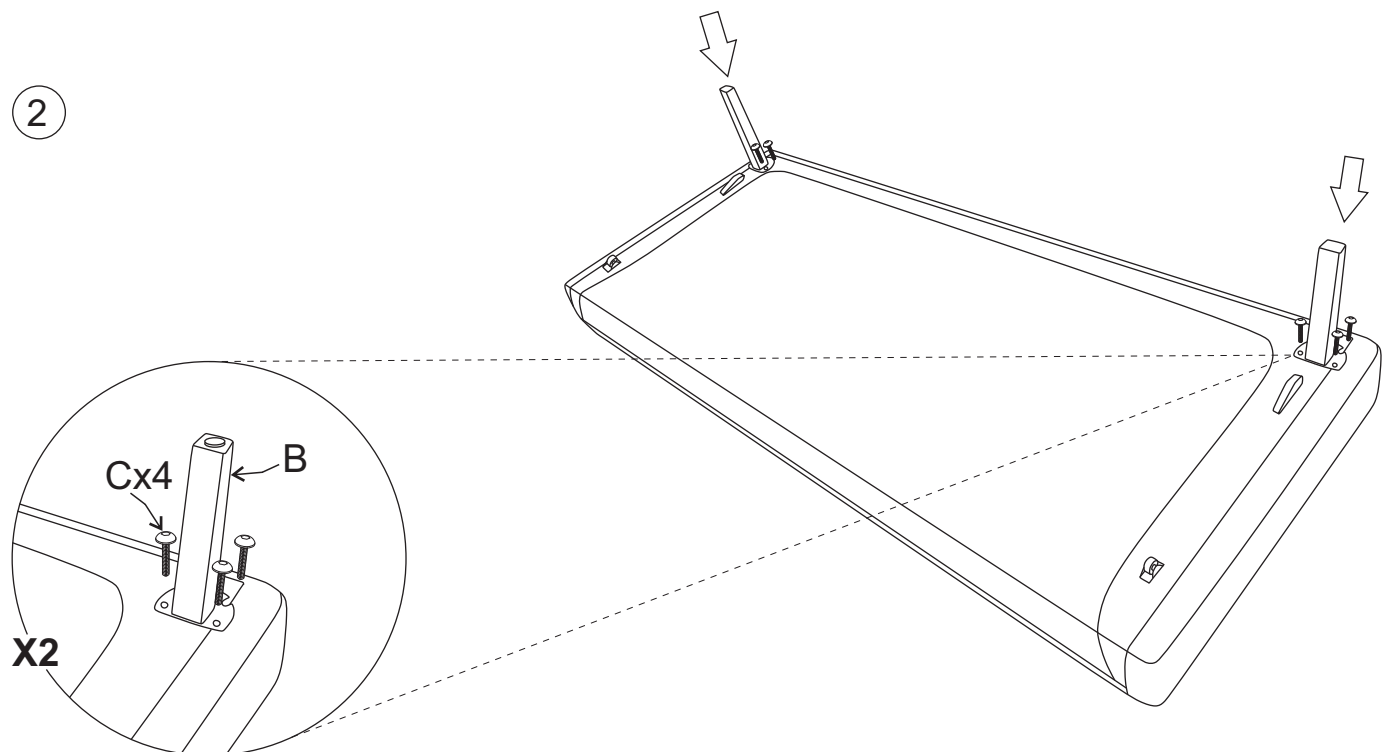


Sleepy

1



2



Sleepy

3

